



WINTERGARDENS



Overview

- An extension of the living space** **page 4 - 5**
Create space for individuality: enjoy living comfort and 'joie de vivre' in your wintergarden.
- Possible uses** **page 6 - 7**
However you use it, a wintergarden adds the finishing touch to your home and creates a space which can be used all year round.
- A wealth of variety** **page 8 - 11**
A wide variety of architectural styles: different roof forms and diverse range of opening options.
- Wintergarden systems** **page 12 - 19**
In aluminium or wood, explore bespoke solutions from four different wintergarden ranges.
- Brand quality** **page 20 - 23**
Brand promise in the best light: exceptional quality comes as standard and with all the product advantages.
- Equipment options** **page 24 - 31**
Perfectly equipped: benefit from perfectly coordinated extras.
- Wintergarden orientation** **page 32 - 33**
From northern lights to the sunny south: every orientation has its own unique appeal.
- Exhibition and manufacture** **page 34 - 36**
Transparency in every aspect: gain valuable insights into our world at the Solarlux Forum.
- Checklist** **fold-in**
Make your dreams come true. The checklist at the end of this brochure will help you start.



Extended living space From a dream to reality

More light, more air, more space: building a wintergarden is the ideal way to add a spacious extension to your living area. Enjoy the special atmosphere and benefits offered by maximum transparency and living close to nature.

No matter what your house is like or how large or small your plans are, Solarlux can be relied upon to provide the perfect solution for additional space and being in harmony with nature all year round, whatever the weather. With the aid of our visualisation software, we would be happy to show you how your wishes can become a bespoke reality. On the following pages, enjoy an insight into dream living spaces that have already been realised.



Living comfort for your well-being

Bring the joy of light into your home with a wintergarden.

Whether extending your living space or adding a transparent room - a Solarlux wintergarden adds the perfect finishing touch to your home! You will gain a new favourite space; a place to indulge in maximum light and airy transparency. Indoors and outdoors blend into one in this space that brings nature into the heart of the home.

A wintergarden is more than just additional living space - it brings with it an increased sense of living comfort, well-being and vitality. There are countless good reasons for extending your house with a cosy suntrap from Solarlux. Let our wintergardens inspire you!



Overview An extension of the living space

Possible uses

A wealth of variety
Wintergarden systems
Brand quality
Equipment options
Wintergarden orientation
Exhibition and manufacture

An all-season experience

Enjoy all weathers in the protection of a wintergarden. Soak up every ray of sunshine; witness the power of the wind and the falling snow and rain. Your wintergarden allows you to experience nature at first hand.

The focus of the home

With a wintergarden you can create the perfect hub for family life as well as an inviting room for convivial hours with friends.

Climate buffer

Your highly efficient, thermally insulated wintergarden is the ideal link between the interior of your home and the natural world around it. Especially as the seasons change, it regulates the temperature and exploits the power of the sun to save you energy.

Increasing property values

A Solarlux wintergarden represents more than increased living comfort; it is also a solid investment in the material value of your home.

A bridge to the garden

The folded glazed panels of your wintergarden allow the living space to be opened up to the greatest possible extent. Enjoy the seamless transition to the great outdoors which this creates.



Bespoke variety

Standard product advantages for customised solutions

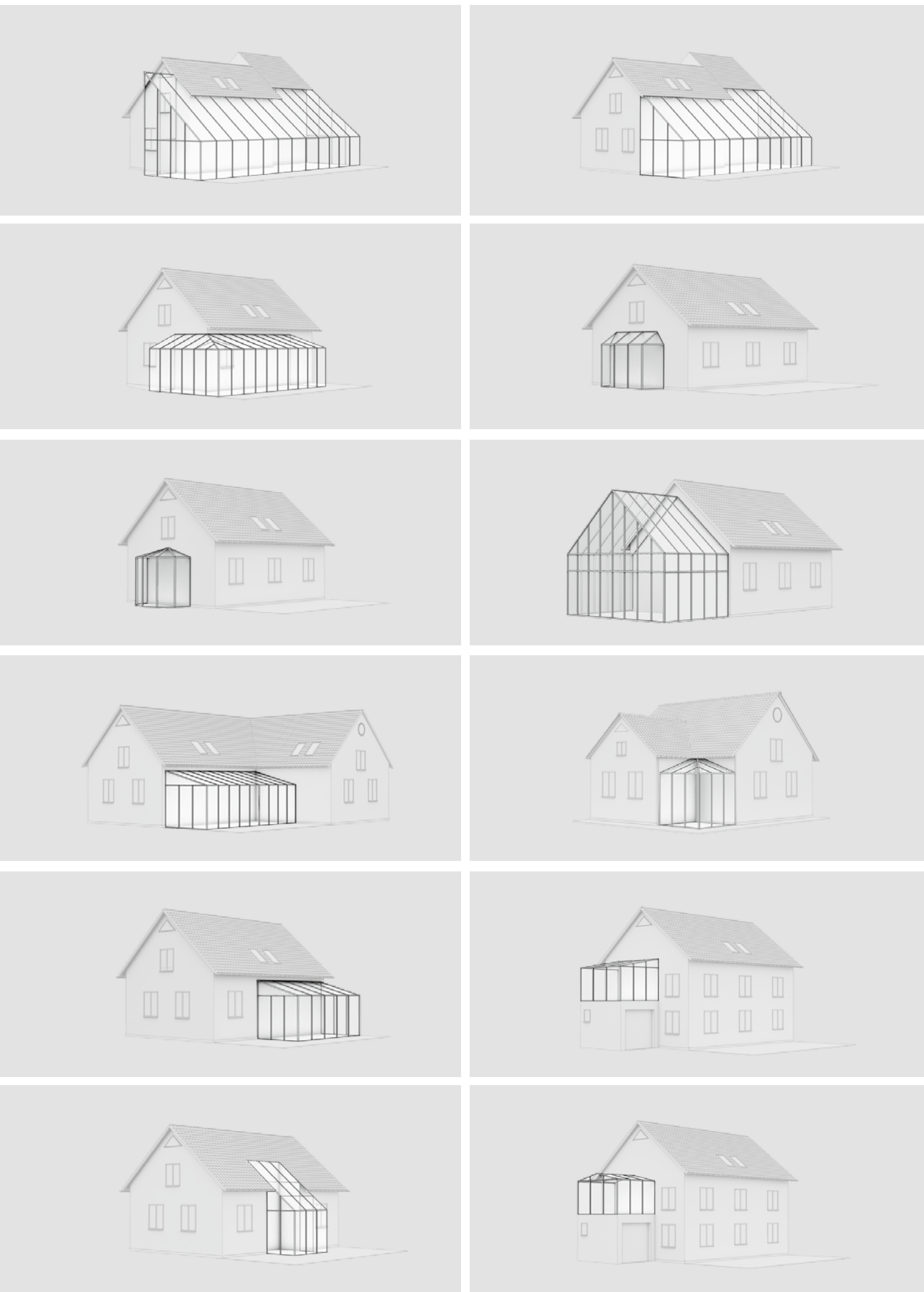
Period property, new build, stylish country home, modern town house, timbered house, semi-detached or a one-off design: because no two houses are alike, every Solarlux wintergarden is also unique. We plan, design and create customised solutions with tried and tested systems and innovative products to realise your dreams.

The one factor which unites all our solutions is the outstanding quality both of the materials used and of the structural implementation. All elements are ideally coordinated to ensure a perfect end result - a wintergarden which is permanently beautiful and holds its value. The architectural data, the position and size of your plot, as well as the intended use of your wintergarden, are all taken into consideration in the planning process.

The roof form of the existing building as well as the colour and style of the house and surroundings are considered in the design process. Naturally, we are also always happy to hear about your own ideas and design suggestions. After all, you are the best judge of what is really important to you! Please feel free to bring photos, your own sketches and lists of priorities with you when you meet with one of our specialist advisors.

Both the customer advisors at Solarlux and our specialist dealers are ready to offer help and advice at all times. Computer visualisation of your design enables you to envisage your individual solution from the very beginning of the design process. For now, use the checklist at the end of this brochure!

- Overview An extension of the living space
- Possible uses
- A wealth of variety**
- Wintergarden systems
- Brand quality
- Equipment options
- Wintergarden orientation
- Exhibition and manufacture



Flexible down to the last detail

Intelligent solutions for every house and style

We approach architectural design with a wealth of ideas and expertise. Solarlux designers can provide every house with an impressive wintergarden solution - from a classic wintergarden extension to integrated glass architecture. Single-storey or shaped to the entire profile of the facade of the house.

You decide whether you want a harmoniously integrated extension to your living space, or to use a glazed structure to set an entirely new architectural accent. We can create a unique, bespoke solution for you, even in difficult structural conditions. The overview of the roof forms on the left shows just a small selection of the technical and design variety of the Solarlux brand - in essence all conceivable roof types are possible!





- Overview An extension of the living space
- Possible uses
- A wealth of variety
- Wintergarden systems**
- Brand quality
- Equipment options
- Wintergarden orientation
- Exhibition and manufacture

SDL Nobiles: A delicate light catcher

“We’ve simply done away with bad weather!”

The Kramer family are now able to experience all of nature’s moods at any time: in their bespoke wintergarden, this family of “sun worshippers” can enjoy the most light possible all year round. “Both in look and feel, the living room and garden have melted perfectly into one. Our life is just more relaxed, surrounded by nature in our light-filled wintergarden.”

The Kramer family chose the thermally-insulated SDL Nobiles aluminium system; the classic wintergarden with today’s technology. Its light, slim look was the perfect match for the restrained architecture of the house. The internal structural strength enables an even exterior roof surface, with a homogenous, tranquil design. Slim-line rafter sections give the system the illusion of floating.





- Overview An extension of the living space
- Possible uses
- A wealth of variety
- Wintergarden systems**
- Brand quality
- Equipment options
- Wintergarden orientation
- Exhibition and manufacture

SDL Akzent plus: Elegance bathed in light

“Living comfort and design freedom go hand in hand!”

The Mertens family's generous wintergarden did not just have to be functional, it also had to fulfil maximum requirements in terms of flexibility and comfort. “We are absolutely delighted by the attractive look which has been created. Our wintergarden is far more than an extension of our living space - it complements the architecture of the house and expresses our attitude towards life!”

The Mertens family's system of choice is the SDL Akzent plus wintergarden. The strong, thermally insulated, aluminium sections coupled with the high roof allow light to flood into the new room. The external structural members allow an almost smooth internal feeling to the roof, allowing maximum transparency and lightness.



- Overview An extension of the living space
- Possible uses
- A wealth of variety
- Wintergarden systems**
- Brand quality
- Equipment options
- Wintergarden orientation
- Exhibition and manufacture



SDL Akzent Vision: Maximum transparency

“Our house has a new focal point”

This countryside idyll demonstrates how perfectly a wintergarden can harmonise as a sensitive extension of the living space, with traditional craftsmanship. The historical charm of this listed farmhouse was retained and the Färber family now enjoys a unique home ambience: “We love the light-filled room that acts like a bridge from our home to the countryside”

The strong design of the SDL Akzent Vision wintergarden, made of thermally insulated aluminium, ensures the ideal combination of tradition and modernity. Integrated steel cables with stainless steel threaded joints create an inner strength to this system. However, the slim section lines and perforated carrier sections are more than construction and design elements - they also enable maximum transparency and daylight.





- Overview An extension of the living space
- Possible uses
- A wealth of variety
- Wintergarden systems**
- Brand quality
- Equipment options
- Wintergarden orientation
- Exhibition and manufacture

SDL Avantgarde: Natural charm

“Feel the warmth of high-quality wood!”

Wood remains synonymous with environmentally friendly comfort. The Müller family also wanted to enjoy the cosy warmth of natural wood in their wintergarden. “We are truly impressed by the combination of the customised look created by the beautiful woods on the interior and the optimal weather resistance of the aluminium outside.”

The SDL Avantgarde roofing system allows you to enjoy the cosy atmosphere of wood in the interior whilst the aluminium covers on the exterior provide protection from the elements. The internal wood construction, with high-quality, FSC and PEFC certified fine woods (pine, spruce, larch), allows for every roof form. Precision manufacturing and limitless choice with regard to design, colour and function mean you can turn your wishes into reality.





Added value for the quality conscious

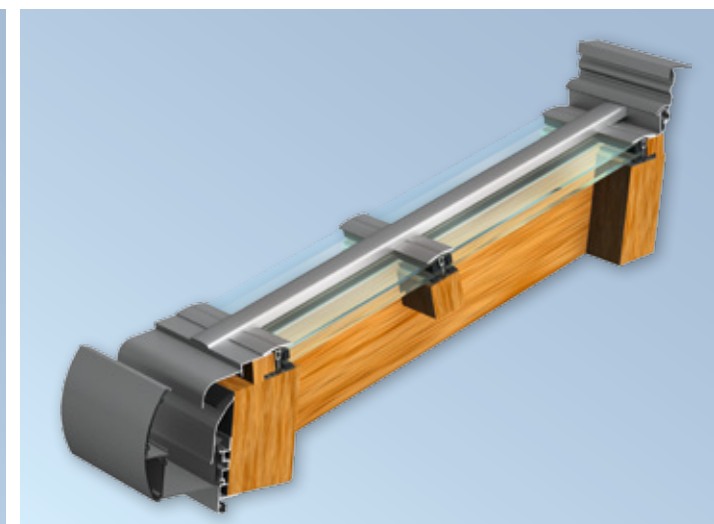
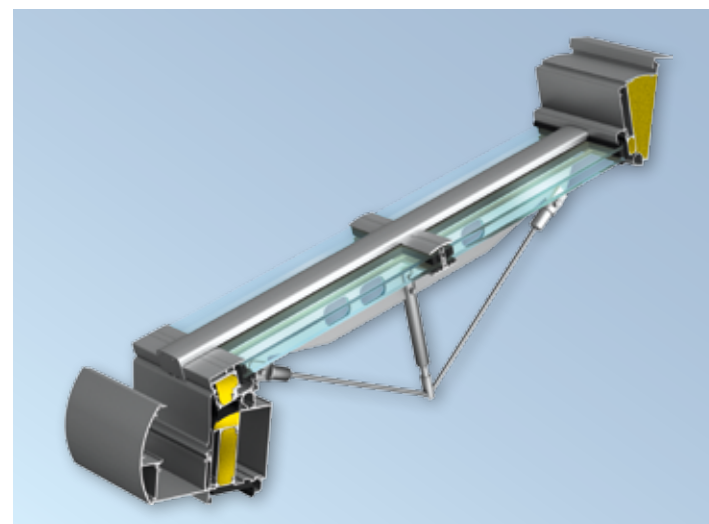
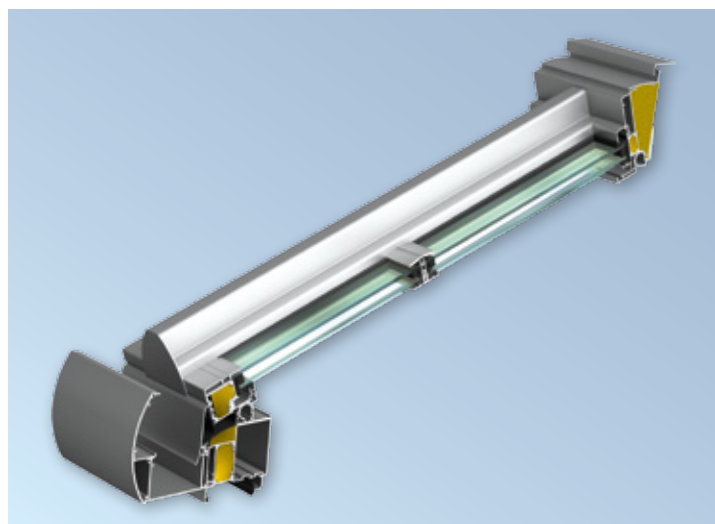
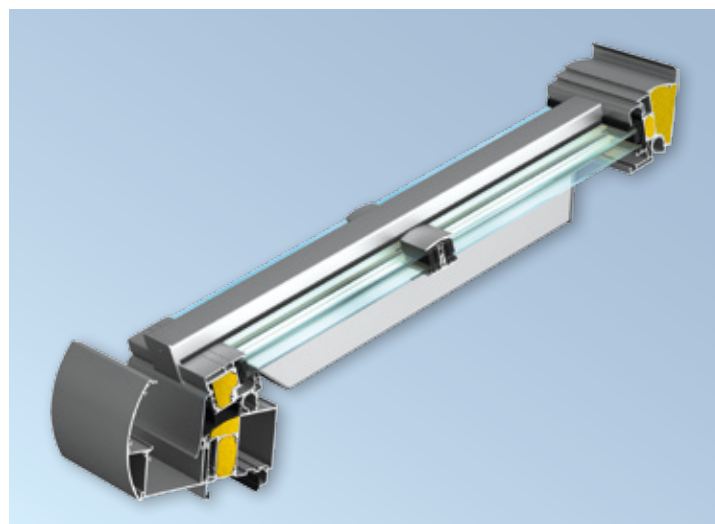
Exclusive systems with perfect functionality and elegant design

By choosing Solarlux you are saying yes to the very best quality. All wintergarden systems, including all the vertical elements - from classic turn-and-tilt windows to ultra-modern folding glass doors - are sourced from the finest quality materials and manufactured by skilled craftsmen.

Solarlux has been committed to the development of its own profile and products as well the innovation of new detail solutions for decades. All components of every wintergarden are "Made in Germany" and we exclusively entrust trained, specialist staff with the installation of the bespoke constructions.

- 1 A perfect synthesis of structural strength and aesthetic design, allows the load bearing elements to be elegantly slim.
- 3 Thanks to innovative glass strip technology, there are no visible screws for the element connections. Excellent functionality and the appeal of minimalism go hand in hand.

- 2 The specially designed gutter rounds off the overall look and is an example of the ideal combination of form and function.
- 4 Even the secondary elements receive top marks for their appearance: the downpipe ensures controlled water drainage. The elegant covering allows it to blend unobtrusively into the overall design of your wintergarden.



SDL Nobiles

The elegant choice

Thermally-insulated aluminium roofing system with internal structural members

Special features of the system

- | Internal structural members create an almost flat external profile
- | 65 mm rafter width tapered to only 36 mm, notched rafter heads
- | Slim interior rafter sections create a 'floating' construction for maximum light
- | Suitable for individual lighting systems

SDL Akzent plus

The classic choice

Thermally-insulated roofing system made of aluminium with external structural members

Special features of the system

- | External structural member ensures almost flat internal ceiling
- | 100 mm rafter width, making larger roof dimensions possible
- | Diverse design options and special roof forms possible
- | Lightstrips with recessed lights available

SDL Akzent Vision

The extraordinary choice

Thermally insulated aluminium roofing system with internal structural members

Special features of the system

- | Structural technical details internally serve as design highlights
- | Rafter width of only 60 mm
- | Slim design with visible cable bracings and stainless steel components for maximum transparency

SDL Avantgarde

The natural choice

Thermally insulated roofing system with interior wood sections and aluminium covers on the exterior

Special features of the system

- | As a natural material, wood helps to create a warm atmosphere
- | Rafter widths from 60 mm (variable according to structural requirements)
- | Versatile design options
- | Individual lighting systems possible

Equipment options

Solarlux wintergardens at a glance

(● available, ○ not available)

	SDL Nobiles	SDL Akzent plus	SDL Akzent Vision	SDL Avantgarde
Roof construction materials				
Aluminium	●	●	●	○
Wood/aluminium	○	○	○	●
Materials for the folding glass doors, parallel slide-and-tilt doors, windows and doors				
Aluminium	●	●	●	●
Wood/aluminium	●	●	●	●
Wood	○	○	○	●
Roof forms				
Monopitch and pitched roof	●	●	●	●
Slanted monopitch and pitched roof	●	●	●	●
Special designs	○	●	○	●
Roof pitch	5 - 45 degrees	5 - 45 degrees	5 - 45 degrees	5 - 45 degrees
Dimensions	After technical clarification	After technical clarification	After technical clarification	After technical clarification
Colours				
Aluminium coatings in RAL, DB, NCS, Duraxal	●	●	●	●
Solarlux wood colours	○	○	○	●
Guttering design				
	●	●	●	●
Downpipe/downpipe cover				
	●	●	●	●
Glazing				
Thermal insulation glazing	●	●	●	●
Sun-protection glazing	●	●	●	●
Self-cleaning glass	●	●	●	●
Sound insulation glazing	●	●	●	●
Glass thicknesses	28 - 44 mm	28 - 44 mm	28 - 44 mm	28 - 48 mm
Shade				
Exterior and interior awning / vertical	●	●	●	●
Wintergarden blinds	●	●	●	●
Ventilation				
Motorised sliding skylights	●	●	●	●
Motorised or manually operated roof hatches	●	●	●	●
Motorised axial / radial fans	●	●	●	●
Motorised or manually operated tilt windows	●	●	●	●
Insect protection				
	●	●	●	●
Lighting				
Lightstrip with recessed lights	○	●	○	○
Individual lighting systems	After technical clarification	After technical clarification	After technical clarification	After technical clarification
Automation (shade, skylights, fans, heating)				
	●	●	●	●

- Overview
- An extension of the living space
- Possible uses
- A wealth of variety
- Wintergarden systems
- Brand quality
- Equipment options
- Wintergarden orientation
- Exhibition and manufacture

High demands, lasting comfort

High-quality highlights and impressive system advantages

A Solarlux wintergarden provides you with a high quality and light-flooded extension to your living space. Enjoy maximum transparency and a variable, airy open space all year round whatever the weather. To fully meet your high expectations, we are 100% committed to quality design, manufacture and installation.

At Solarlux everything comes together; be inspired by your own ideas, personal preferences and the structural requirements of your house. See for yourself in the table on the left how Solarlux can provide everything you need which means your wintergarden dream really can come true!





Overview An extension of the living space
 Possible uses
 A wealth of variety
 Wintergarden systems
 Brand quality
Equipment options
 Wintergarden orientation
 Exhibition and manufacture

Open to all possibilities

The creation of usable space couldn't be easier

No matter which Solarlux roofing system you choose, the entire range of opening options is available: you choose where and how you want your wintergarden to open to the outdoors. All Solarlux folding glass doors can be freely combined with the roofing systems and offer large-scale opening concepts. And since these systems are so user-friendly, they can be operated in no time at all: a five-metre-wide folding glass door can be easily folded away into a neat space that is a mere 50cm deep!

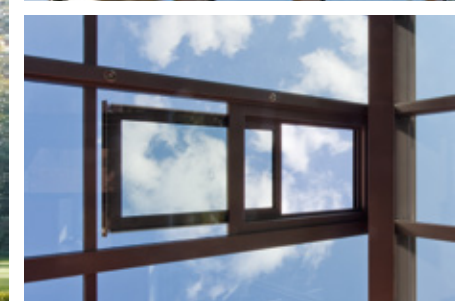
It goes without saying that fixed glazing and classic turning-panel doors are possible, and parallel sliding or tilting elements can also be installed. The flexible systems provide custom-made solutions. Stainless steel designer handles and top quality fittings add the finishing touch to the opening doors.



Overview An extension of the living space
 Possible uses
 A wealth of variety
 Wintergarden systems
 Brand quality
Equipment options
 Wintergarden orientation
 Exhibition and manufacture



Foto: Klemens Ortmeier



Shade

Even optimally thermally-insulated wintergardens can become too warm in strong sunshine. High-quality shade systems provide the solution: awnings, which catch the sun's rays before they hit the glass surfaces, provide effective exterior shade and a comfortably cool interior.

Interior shade systems, such as roller and pleated blinds and canopies, are also available in bespoke quality - sun blinds, pleated and foil blinds can even be fitted between the panes! As a pleasant side effect these act as variable privacy screens. For controlled regulation of the wintergarden climate, wind and temperature sensors automatically control the shade regardless of whether the owners are at home or not.

Opening/ventilation options

In order to keep the room climate ideal around the clock and in all weathers, Solarlux wintergardens are equipped with ventilation options which can be combined. Naturally, the large-scale opening of the folding glass doors enables you to experience nature and fresh air at first hand.

Mechanical adjustable ventilators can be found in the lower area of the windows or folding glass doors. They provide healthy fresh air in any weather. In contrast to open windows, they offer protection from burglars and the elements. For ventilation in the roof, as well as classic skylights, sliding or tilt windows can also be integrated. Independent weather tangential ventilators aid the ventilation system. All electromotive opening elements can be automatically controlled according to the temperature, air humidity, wind strength, position of the sun and the rain.

Overview An extension of the living space
 Possible uses
 A wealth of variety
 Wintergarden systems
 Brand quality
Equipment options
 Wintergarden orientation
 Exhibition and manufacture



Heating

Harsh, unpleasant weather really brings out the value of the protected comfort of your wintergarden, and relaxed hours overlooking the snow-covered garden are a delight: the thermally-insulated Solarlux wintergarden is your vantage point in the middle of nature, all through the year! Surprisingly little heating energy is required to create comfortable temperatures, even on cold days. Tiled fireplaces and wood burning stoves have proven particularly advantageous, as well as radiators, underfloor heating/convection systems can easily be integrated into the wintergarden.

Air-conditioning

The effective thermal insulation, as well as a clever ventilation concept and high-quality shade systems ensure that the climate in your wintergarden remains comfortable, even in hot summers. However, in extreme heat or in exposed positions, an additional air-conditioning system may be advisable. Preset to a specific temperature, it switches on automatically and regulates the room temperature when necessary.

Lighting

Flooded with light during the day, atmospherically lit at night: as soon as the sun no longer lights up your wintergarden, well positioned light sources create a cosy ambience. Lightstrips with integrated low-voltage lights, fitted under the individual rafters, are a subtle yet effective solution. A range of spotlights, halogen lights and star spotlights, all equipped with dimmable transformers, are available.

Automation

Your wintergarden's cleverly coordinated technical equipment forms the basis of year-round enjoyable living. Naturally, all components can be operated manually as required, but the automatic controls offer maximum convenience. A reliable, highly sensitive programmable module can alter the ventilation, the shades and even the lighting can be controlled automatically.



Overview An extension of the living space
Possible uses
A wealth of variety
Wintergarden systems
Brand quality
Equipment options
Wintergarden orientation
Exhibition and manufacture

North-facing

Northern skies fill the wintergarden with an even, glare-free light all through the day - ideal for offices and studios. Because of the indirect sunlight, the climate is also ideal for many plants.

East-facing

An east-facing wintergarden enables you to enjoy being bathed in light, especially at breakfast time. The shadow of the house ideally protects you from the afternoon sun, and plants that do not tolerate direct sunlight also thrive here.

South-facing

Extend the outdoor season with a south-facing wintergarden because here you can enjoy the most hours of sunshine. From autumn through to spring, it collects comfortable warmth, but in summer an effective ventilation and shade system should be considered.

West-facing

A wintergarden facing west will reward your days with the warm rays of the afternoon and evening sun. The view of spectacular sunsets will be a source of great pleasure for many an hour.



Wintergarden ideas live

Exhibitions and the Solarlux Forum invite you to explore

The Solarlux Forum in Bissendorf is one of the best addresses for wintergarden fans. Experience the entire variety of high-quality glass solutions - from wintergardens and folding glass doors to patio roofs - spread over 2000 square metres of exhibition space. Furthermore, the Solarlux Forum has established itself as an atmospheric location for public events, such as musicals, concerts and comedy shows.

An extensive network of dealers ensures that you will find an expert contact partner in your area. Many specialist dealers exhibit elegant wintergarden solutions at their premises or alternatively you could visit the new showroom at Solarlux's UK headquarters in Welwyn Garden City. A list of Solarlux partners is available on the internet and we will naturally be happy to advise you by phone.

Quality from a single source

The wintergarden factory sets new standards

Solarlux wintergardens are manufactured at the modern wintergarden factory in Osnabrück. Here, structural sections and high-quality glass elements are assembled into bespoke components and the complete wintergarden is pre-assembled. The custom made components are transported using our own fleet and professionally installed on site by our trained assembly teams.

The high-quality details and durability of Solarlux wintergardens have been proven many times, over many years, across the world. All Solarlux systems are continually tested and developed and have been awarded test certificates from renowned testing institutes, both domestic and foreign.



Checklist for planning your wintergarden



Please mark which equipment details you require. Mark as few or as many as you like - and if you do not understand a technical term, just ask us! Please bring a few pictures of your home and any available drawings (floor plan, sections, profiles) with you to the consultation.

First name, last name

Street, house no.

Postcode, town

Country

Telephone or e-mail

- General use**
- Year-round use (heated)
 - Roofed terrace (unheated)
- Orientation**
- North
 - East
 - South
 - West
- Type of use**
- Living room
 - Dining room
 - Office
 - Kitchen
 - Hobby room
 - Bedroom
- Design**
- Monopitch roof
 - Pitched roof
 - Special form

- Roof construction materials**
- Aluminium
 - Wood/aluminium
- Vertical element materials**
- Aluminium
 - Wood/aluminium
 - Wood
- Glazing**
- Thermally-insulated glass
 - Sun-protection glass
 - Safety glass
 - Self-cleaning glass
- Sun protection**
- Exterior shade
 - Interior shade
- Opening/ventilation options**
- Folding glass door
 - Parallel tilt and slide system
 - Turning door
 - Turn-and-tilt window
 - Sliding vents
- Ventilation of vertical areas**
- Tilt windows
 - Motorised tangential / axial ventilators
- Ventilation of the roof area**
- Skylight (hinged)
 - Skylight (sliding)
 - Motorised tangential / axial ventilators
- Automation**
- of the shade
 - of the skylights
 - of the ventilators
 - of the heating
 - of the lighting

Specialist advice and support

Relax and look forward to a perfect result

Maybe you are dreaming not only of a wintergarden, but also of someone to support you in all areas up to final completion. Then Solarlux is the one for you: we take over the entire planning process, enter the planning application, and build your bespoke wintergarden. We can even provide a regular maintenance contract.

Our technical consultation even goes further than that - we can recommend the best solution for all connection work, from the foundations through to the walling and up to the roof. If required, we can also put you in contact with our expert and experienced partners who will reliably carry out the work required.

